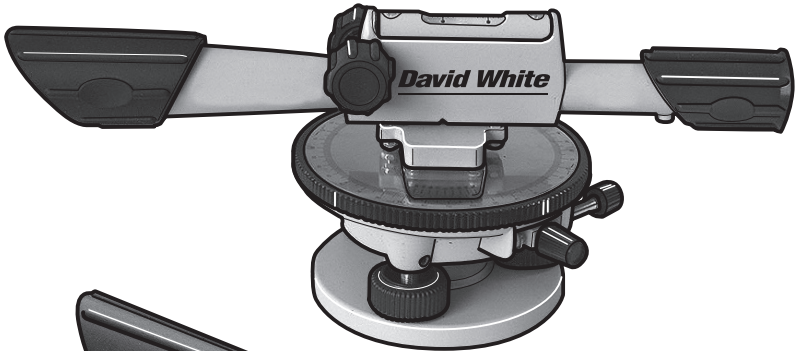


# **David White®**

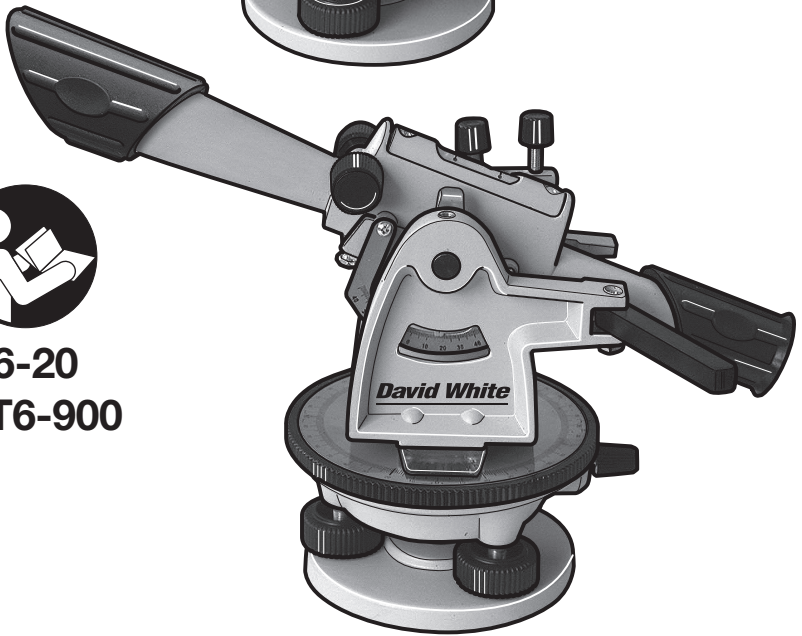
---

## **Meridian Series Owner's Guide**



**L6-20**

**LT6-900**



**FOR CUSTOMER SERVICE, PARTS  
AND REPAIR CALL**

**(765) 581-4097**

**[www.davidwhite.us.com](http://www.davidwhite.us.com)**

**IMPORTANT:  
Read Before Using**

**IMPORTANT :  
Lire avant usage**

**IMPORTANTE:  
Leer antes de usar**

# Set Your Sights On Precision and Accuracy with David White®

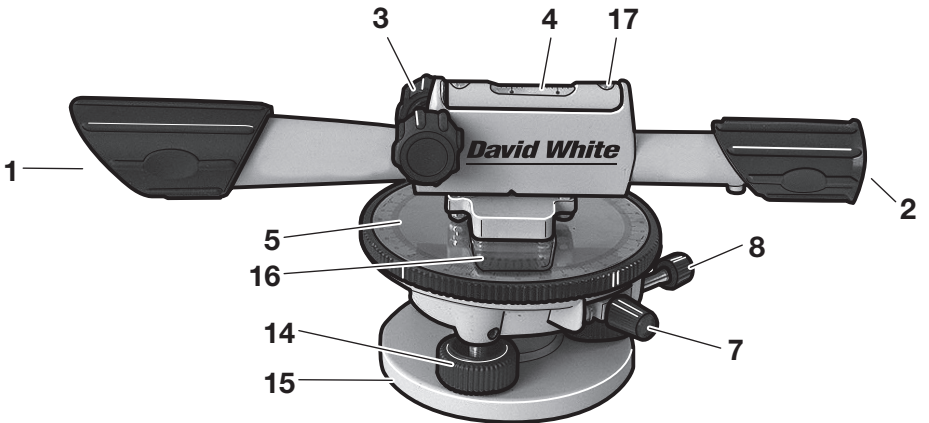
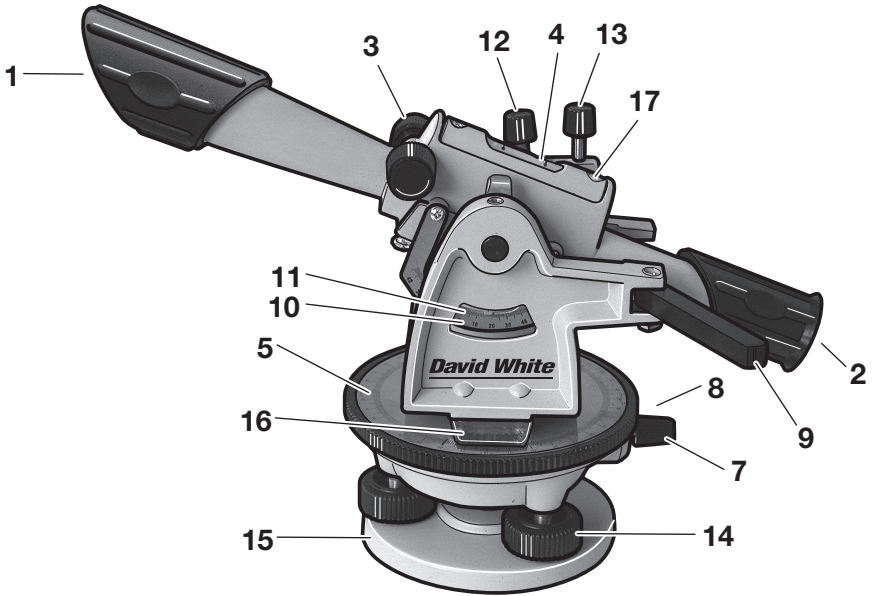
Congratulations! You've purchased a David White® builder/contractor optical instrument, known throughout the world for precision and accuracy.

The purpose of this user's guide is to acquaint you with your instrument, its components, safety, proper care, and handling.

Our instruments are constructed to withstand rugged field use. Like all precision instruments, however, they should be treated with reasonable care to prolong life and accuracy.

**IMPORTANT!** All instruments are adjusted when they are shipped from the factory. It is the customer's responsibility to check and to ensure instruments are adjusted prior to using.

David White® is an exclusive brand of Dave White's SitePro LLC (SitePro). SitePro is not responsible for errors caused by instruments that are out of adjustment. Contact your distributor, dealer for information on the nearest facility to check if your instrument is properly adjusted.



# GENERAL SAFETY RULES

**⚠ WARNING** Read all instructions. Failure to follow all instructions listed below may result in serious injury.

**⚠ WARNING** When moving a tripod-mounted instrument, handle with care. Carry only in an upright position. Do not carry over your shoulder or in a horizontal position. Improper handling may result in instrument damage

**Handle the instrument by its base when removing from the case or attaching to a tripod. Never use force on any parts of the instrument. All moving parts will turn freely and easily by hand.**

**Check the leveling and indication accuracy of the measuring tool each time before using and after longer transport of the measuring tool.**

**Protect the measuring tool against moisture and direct sun light.**

**Do not subject the instrument to extreme temperatures or variations in temperature.**

As an example, do not leave it in vehicles for long time. In case of large variations in temperature, allow the measuring tool to adjust to the ambient temperature before putting it into operation. In case of extreme temperatures or variations in temperature, the accuracy of the measuring tool can be impaired.

**Avoid any impact to or dropping of the measuring tool.** After severe exterior effects to the measuring tool, it is recommended to carry out an accuracy check each time before continuing to work.

**Place the instrument in the provided case when transporting it over larger distances (e.g. in the car).** Ensure that the instrument is correctly placed in the transport case. When placing the instrument in the case.

**When carrying instrument, always remove the instrument from the tripod when transporting or carrying it at the jobsite.** If the instrument must be carried on the tripod, hold the instrument as vertically as possible and keep it in front of you. Never carry the instrument horizontally over your shoulder.

**When transporting instrument long distances, always place in the carrying case.**

## SAVE THESE INSTRUCTIONS

# INTENDED USE

The measuring tool is intended for determining and checking precise horizontal partitions and angles. The LT6-900 is also suitable for measuring heights and distances.

# FEATURES

The numbering of the product features shown refers to the illustration of the measuring tool on the graphic page.

1. Telescope objective lens
2. Eyepiece
3. Focusing knobs
4. Instrument level vial
5. Horizontal graduated circle
6. Horizontal vernier
7. Horizontal clamp

8. Horizontal tangent
9. Telescope lock lever
10. Vertical arc
11. Vertical arc pointer
12. Vertical clamp
13. Vertical tangent
14. Three leveling screws
15. 5/8-11 threaded base
16. Horizontal vernier
17. Bubble Level Adjustment Screw

# TECHNICAL DATA

	L6-20	LT6-900
<b>Accuracy</b>	1/4 in at 100 ft (6mm at 30m)	1/4 in at 100 ft (6mm at 30m)
<b>Range</b>	Up to 200 ft (60m)	Up to 200 ft (60m)
<b>TELESCOPE</b>		
Magnification	22-power	22-power
Length	10.5" (26.5 cm)	10.5" (26.5 cm)
Minimum Focus	4 ft (1.2 m)	4 ft (1.2 m)
Aperture	0.75" (19mm)	0.75" (19 mm)
Field of View	2' @ 100' (0.6 m @ 30 m)	2' @ 100' (0.6 m @ 30 m)
No. of Lenses	6	6
<b>HORIZONTAL CIRCLE</b>		
Graduation Diameter	3.62" (92 mm)	3.62" (92 mm)
Graduations	Each 1°	Each 1°
Numbers	Each 10°, 0-90-0°	Each 10°, 0-90-0°
Vernier	Double direct to 15 min.	Double direct to 15 min.
<b>VERTICAL ARC</b>		
Graduations		Each 1°
Numbers		Each 10°, 45-0-45°
<b>CENTER</b>	Planar bearing	Planar bearing
<b>LEVEL VIAL</b>	10 min. per 2 mm	10 min. per 2 mm
<b>WEIGHT (Instrument)</b>	3.25 lb (1.5 kg)	4.5 lb (2.0 kg)
<b>TRIPOD</b>	5/8-11 thread	5/8-11 thread

# GENERAL DESCRIPTION

## Telescope

The telescope provides a sharp image magnified 22 times. This means the object sighted appears 22 times closer than it would with the naked eye.

The telescope features a built-in sunshade which protects the objective lens **1** and reduces glare.

To focus on an object, sight through the eyepiece **2** and turn the focusing knobs **3** with either right or left hand. Cross hairs are in constant focus. All focusing is internal. The telescope does not move outward or inward as objects are focused. David White Meridian instruments use the smooth precision of a rack and pinion mechanism for focusing.

Focus range is from four feet to infinity. For closer focus, turn the knob clockwise. For farther focusing, turn counterclockwise.

## Leveling Vial

The instrument leveling vial **4** is protected by a strong, die-cast casing, and is graduated to facilitate centering the bubble.

## Horizontal Circle

The horizontal circle **5** can be rotated for easy angle setting and reading and is divided in quadrants (0-90°). The circle is marked by degrees and numbered every 10 degrees.

The horizontal vernier **6** permits dividing whole degrees into fractions of 1/4° (15 minutes). Approximate horizontal sightings are held firmly in place by means of a clamp **7**. Then, precise horizontal settings can be made with the tangent **8**. The clamp must be hand tightened in order for the tangent to function.

## Vertical Arc (LT6-900 Only)

The LT6-900 is a combination instrument. Its telescope moves up and down 45 degrees, and rotates 360 degrees, to measure vertical and horizontal angles.

The telescope lock lever **9** must be in a closed position when the instrument is to be used as a level; open when used as a transit for vertical sightings. It is shown in the open position.

The vertical arc **10** is divided in degrees and numbered every 10 degrees up to 45 degrees, for both upward and downward angles, and has an adjustable index pointer **11**.

The vertical clamp **12** holds the telescope at a vertical angle. Fine vertical settings can be made with the vertical tangent **13**. The vertical clamp must be hand tightened before the tangent will function.

## Leveling Screws

Both instruments have three leveling screws **14** for leveling the instrument. The instrument is mounted to the tripod by screwing the tripod stud into the 5/8-11 threaded base **15**.

# OPERATION

## Initial Operation

**⚠ WARNING** Protect the instrument against moisture and direct sun light.

Do not subject the instrument to extreme temperatures or variations in temperature. As an example, do not leave it in vehicles for long time. In case of large variations in temperature, allow the measuring tool to adjust to the ambient temperature before putting it into operation. In case of extreme temperatures or variations in temperature, the accuracy of the measuring tool can be impaired.

Avoid heavy impact or falling of the instrument. After heavy exterior impact on the instrument, an accuracy check should always be carried out before continuing to work.

## Setting Up Instrument

**⚠ WARNING** It is important that the tripod is set up firmly. Make sure that the tripod points are well into the ground. On paved surfaces, be sure the points hold securely.

The legs should have about a 3-1/2 foot spread, positioned so the top of the tripod head appears level.

If using a tripod with adjustable legs, be sure the leg clamps are securely hand tightened.

Before setting up your instrument, be sure clamps are loosened and telescope lock lever **9** (LT6-900) is in the closed position.

Attach the instrument to the tripod securely, hand tightening the instrument base to the 5/8-11 tripod head.

## Setting Up Over a Point

**⚠ WARNING** Never use force on any parts of the instrument.

All moving parts will turn freely and easily by hand.

Hang the plumb bob, attach cord to the plumb bob hook of the tripod.

Move the tripod and instrument over the approximate point. (Be sure the tripod is set up firmly again. Loosen leveling screws and shift the instrument laterally until the instrument is positioned directly over the point.

If necessary, the instrument can be shifted by loosening the tripod center stud and sliding the instrument from side to side for proper positioning.

## Leveling the Instrument

Set the instrument leveling screws. Turn down the leveling screws until firm contact is made with the instrument base.

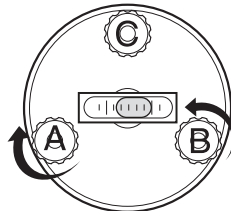
**⚠ CAUTION** Do not overtighten the leveling screws. It is very possible to overtighten the leveling screws. Only a firm contact between the screws and the base is necessary. If the instrument shifts on the base, turn down the screw more firmly by hand.

Leveling the instrument so the vial bubble remains centered through a 360° rotation of the telescope is the most important operation in preparing to use your instrument.

When leveling your instrument, be sure not to touch the tripod. Follow these instructions carefully.

Again, be sure telescope lock lever **9** (LT6-900) is in the closed position.

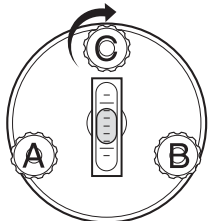
Line up the telescope so that it is directly over a pair of leveling screws.



Grasp these two leveling screws (**A** and **B**) with the thumb and forefinger of each hand.

Turn both screws at the same time by moving your thumbs toward each other or away from each other, until the bubble is centered.

When the bubble is centered, rotate the telescope 90 degrees over the leveling screw (C) and turn the screw until the bubble is again centered.



Shift back to the original position and check the level. Make minor adjustments with leveling screws if necessary.

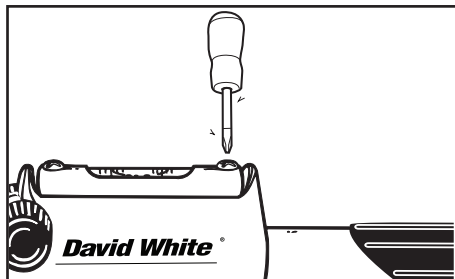
### Final Level Check

Rotate the instrument 180° so the vial is reversed. If the bubble will not center when reversed, follow adjustment procedure outlined under “Bubble Adjustments.”

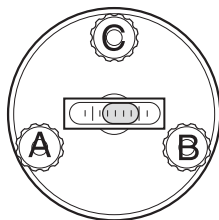
### Bubble Vial Adjustment

**Bubble adjustments must be correct if proper results are to be obtained using the instrument.**

If the telescope bubble does not remain centered after having leveled the instrument, and reversed the telescope end for end (180°) the need for adjustment is indicated. Use a screwdriver.



With the bubble level adjustment screw 17 facing to the right of the bubble and with telescope directly in line with two of the three leveling screws, note to which side the bubble is off.



If to the left, loosen screw A very slightly to remove ONE-HALF the error. Remove the other half of the error with the two level screws in line with the telescope.

If the bubble is still not exactly centered, repeat the procedure.

If bubble is off to the right, tighten the bubble level adjustment screw 17. Otherwise, the procedure is identical.

### Reading the Circle and Vernier

The 360° horizontal circle 5 is divided in quadrants (0 - 90°). The circle is marked in degrees and numbered every 10 degrees. The horizontal circle 5 is referred to as the circle or degree scale. On the LT6-900 transit level, the vertical arc 10 also is a degree scale, and it is numbered every 10 degrees to 45 degrees, up and down.

For very precise readings, the instruments are equipped with a horizontal vernier 16 which divides each degree on the circle or arc into 12 equal parts of 5 minutes each. There are 60 minutes (60') in a degree.

The vernier scale 16 is read in the same direction (right or left) as you're reading the degree scale.

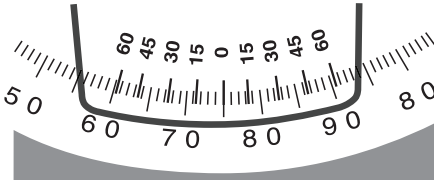
The following examples will explain how to read the degree and vernier scales on the circle and arc.



## Exact Degree Reading

The point at which 0 on the vernier scale touches the circle. If the 0 coincides exactly with a degree line on the circle, your reading will be in exact degrees.

There are no fractions of degrees, or minutes, to be added to the reading. The horizontal circle reading is  $75^\circ$ .

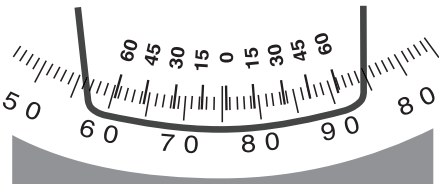


## Fraction (Minutes) Reading

If the 0 on the vernier does not coincide exactly with a degree line, your degree reading is the line which the 0 has just passed, reading up the degree scale, plus a fraction of the next degree.

To determine the fraction, or minutes:

- Start at 0 on the vernier and read up the vernier scale (in the same direction as you're reading the degree scale) until you find a minute line that coincides exactly with a degree line.



- $75^\circ$  was the last degree line passed on the circle.

Reading to the right on the vernier scale, the minute line which coincides exactly with a degree line is  $45'$  (Reading is  $75^\circ 45'$ ).

Remember, each line on the vernier scale represents  $5'$ , so you will be reading  $5'$ ,  $10'$ , etc. The circle degree scale is being read to the left.

When reading the circle degree scale to the left, read up the vernier scale in the same direction.

## Sighting and Focusing the Telescope

### Avoid touching the tripod while sighting.

- Aim the telescope **1** at the object and sight first through the notch on the top of the telescope for preliminary sighting. Look through the telescope eyepiece **2** and bring the object into focus using the focusing knob **3**.
- Rotate the instrument until the crosshairs are positioned on or near the target. Tighten the horizontal clamp **7** and make final settings with the tangent fine tuning knob **8** to bring the crosshairs exactly on point.

**When sighting through the telescope, keep both eyes open.** You will find that this eliminates squinting, will not tire your eyes and gives the best view through the telescope.

### Remember to avoid touching the tripod while sighting.

## Removing the instrument from the tripod

Loosen two adjacent leveling screws and unscrew the tripod mounting stud while holding onto the instrument.

Remove the instrument from the tripod and secure it in its protective carrying case. Loosen the vertical clamp and close the lock lever on the level-transit. Center the telescope in the case.

# GENERAL APPLICATIONS

Levels and level-transits, as do all sighting instruments, operate on the principle that any point along a level line of sight is exactly level with any point along that line.

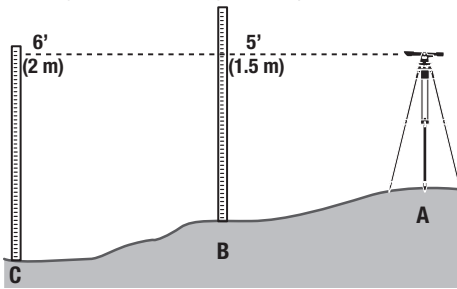
## Horizontal Level Applications (L6-20 and LT6-900)

The following jobs can be accurately performed with a level or level-transit used in the level position (with closed lock lever): grading for swimming pools, driveways, sidewalks, lawns, gardens; plotting contour plowing lines; laying out drainage ditches; setting fence lines; estimating cut and fill requirements; setting forms and footings; leveling walls and foundations; establishing drainage for landscaping; aligning trees and shrubs and building terraces and stone walls.

## Determining differences in elevation

One of the main uses of levels is for measuring the differences in elevation for grading.

With the instrument leveled, we know that since the line of sight is perfectly straight, any point on that line of sight will be exactly level with any other point.

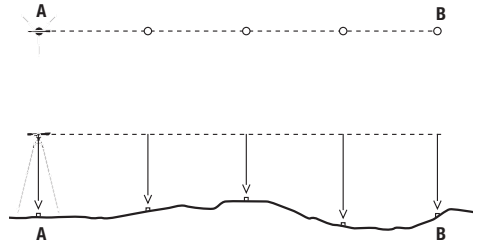


The above illustration shows how exactly we can check the difference in height (or elevation) between two points. If the rod reading at B is 5 ft (1.5 m) and the reading at C is 6 ft (2 m), we know that point B is 1 ft (0.3 m) higher than point C. Using the

same principle, you can easily check if a row of windows is straight, or a wall is level, or how much a driveway slopes.

## Running Straight Lines with a Level

Set up the instrument over Point A. A plumb bob should be held over Point B. Sight approximately on the plumb bob cord and turn the telescope so that the vertical cross hair coincides with it.



To align the intermediate points, direct the person with the leveling rod to the right or left until the rod coincides with the vertical cross hair. It is important not to move the instrument during operation.

After all points have been set, check back on point B to be sure that the instrument did not move.

## Determining Contour Lines

Contour lines, such as used for contour plowing, are lines connecting points of equal level. To determine contour lines, first level the instrument carefully.

A sighting rod should be held at the beginning contour line about 100 feet from the instrument. Sight the rod and set a target on the rod at the point where the horizontal cross hair intersects the rod.

Then move the rod to approximately the next place where a contour line stake is to be set and move the rod up or down the slope until the line of sight through the telescope again intersects the target.

This determines a second point on the contour line. This step is repeated as many times as necessary.

If the person holding the rod is moving too far from the instrument, simply hold the rod in one of the positions determined from the original instrument position and move the instrument to another convenient location along the contour.

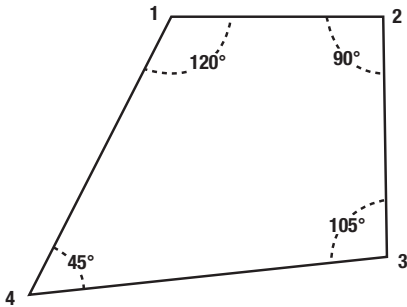
Sight on the rod in this position and move the target up or down until it lines up with the cross hair. The line may then be continued in the same manner as before.

## Measuring and Laying Out Angles

For measuring angles, attach a plumb bob cord to the hook on the screwdriver-style handle of the tripod. The point of the plumb bob will then indicate a point on the ground directly below the center of the instrument and, therefore, will also indicate the center of all angles to be measured.

This point should be marked by a stake about two inches square with a tack indicating its center.

Remember, horizontal angles are always read at the vernier zero mark.



The following example simply explains how to measure angles:

- Set the instrument up at station 1. Place it so the plumb bob is directly over station 1.
- Now level the instrument as explained previously.

- Turn the telescope so that the vertical cross hair is directly in the center of the rod at station 2.
- Set the horizontal circle at zero to coincide with the vernier zero.
- Then turn the telescope to sight on station 4 and read the angle. (In this case, it would be 120 degrees.)

Move the instrument and tripod to station 2 and level exactly as before. When the instrument has been leveled, sight back to read on station 1.

- Set the horizontal circle to zero, then sight the telescope to locate station 3 and read the angle (90 degrees).
- Move the instrument and tripod to station 3 and level as before. Again, sight back to the previous station (2) and set the circle at zero.
- Turn the telescope to sight on station 4. Your angle should be 105 degrees. The same procedure is followed to measure the angle at station 4.

You can prove the accuracy of your reading by adding the four inside angles together because the total of the inside angles of a quadrangle is always 360 degrees.

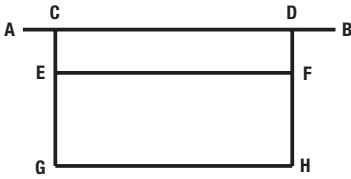
To lay out an angle, proceed in the same way as in measuring an angle.

- Set the instrument at station 1, level it, and set the circle at zero.
- Swing the telescope to the desired angle and move the rod to intersect the vertical cross hairs.

This establishes your angle.

NOTE: The L6-20 and LT6-900 have horizontal verniers which read to 15-min (1/4 degree). For projects which need more accurate angle measurement for layout, we recommend using a more precise instrument with a 5-min vernier.

## Laying Out a Swimming Pool



In the above figure, **A-B** is the lot line. The corner of the proposed swimming pool is **E**. Point **C** is the point where the line forming the side of the pool intersects this lot line.

If **E** has not already been determined, set up and level the instrument directly over point **C** and line up the cross hairs on **B**. Set horizontal circle to zero.

Turn the telescope 90 degrees to the right. The vertical cross hair of the instrument will now cut across point **E** and point **G**. Measure the distance from the lot line to the corner of the pool, which is **C-E**. Also, the distance **E-G** is measured along this line. Place a stake at points **C**, **E** and **G**.

Next set up and level the instrument directly over point **E** and line up the cross hairs on **G**. Set reading to zero. Turn the telescope 90 degrees to the left to establish the line **E-F**. Measure out the distance and place a stake at point **F**. The distance, **D-F**, (from **F** to the lot line) will exactly equal **E-C** if the work is correct.

Next set up and level the instrument over point **F** and set the vertical cross hair at point **E**. Set reading to zero.

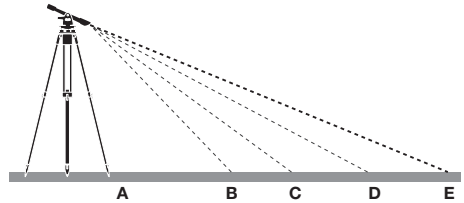
Turn the telescope 90 degrees to the left to establish the line **F-H**. Measure out the distance and place a stake at point **H**.

## Vertical Applications (LT6-900 Only)

The following example illustrates how to use a level-transit for laying out roads, building lines, ditches, orchards, fences, hedges, fields, etc.

### Running straight lines with a level-transit

(Although it is possible to run straight lines with a level, it is faster and more accurate to use a level-transit.)



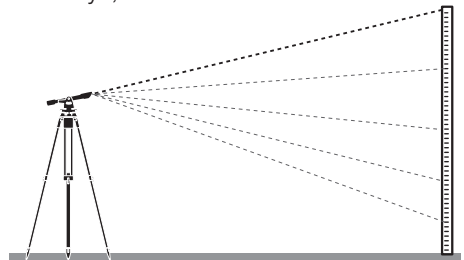
To run a straight line between stakes **A** and **E**, position the instrument directly over **A**.

After you level the instrument, release the lock that holds the telescope in the level position and swing the instrument until point **E** is aligned with the vertical cross hair.

Tighten the horizontal clamp so the telescope can move only in a vertical plane. By pointing the telescope up or down, points **B**, **C** and **D** can be located.

### Establishing vertical lines and planes

It is necessary to use a level-transit instrument for taking vertical sights, such as lining up a building wall, aligning piers or fencing, ennas, plumbing windows or doorways, etc.



To establish vertical lines and planes, first level the instrument, then release the locking levers which hold the telescope in the level position.

Swing the telescope vertically and horizontally until the line to be established

is directly on the vertical cross hair. If the telescope is rotated up or down, each point cut by the vertical cross hair should be in a vertical plane with the starting point.

## CHECKING CALIBRATION

### **Your David White instrument must be serviced and repaired by an authorized David White service center.**

You may, however, choose to check the instrument yourself to make sure it is properly adjusted. A simple, inexpensive setup can be established to check an instrument's line of sight:

1. Locate an area to set up a tripod that is 10 feet (3 m) away from a wall, post, permanent shelving, etc. and approximately 75 ft to 100 ft (22 m to 30 m) away at a 90° angle from another wall, post, etc.
2. Using an automatic level or other high-accuracy instrument known to be in perfect adjustment, secure it to the tripod and level it following instructions in the instrument's owner's manual.
3. Make sure the tripod is on a firm base and mark the location of the tripod shoe points. These marks can be used for future reference.
4. After the instrument has been completely leveled, sight on the wall that is 10 feet (3 m) away.
5. Place a two-foot section of rod ribbon on the wall so the horizontal cross hair of the instrument intersects the

middle of the two-foot section.

6. Rotate the instrument 90° and sight on the wall that is about 75 feet to 100 feet (22 m to 30 m) away.
7. Place a two-foot section of rod ribbon on that far wall so the horizontal cross hair of the instrument intersects the middle of the two-foot section (as in Step 5). Adjust this rod ribbon so that it reads the same exact point as the closer ribbon. Secure ribbon with tape or glue.
8. Now put the instrument to be checked on the tripod and take a reading on the ribbon 10 feet (3 m) away. Record the reading.
9. Rotate the instrument 90° and take a reading on the distant ribbon.
10. Compare the two readings. If there is a difference in the two readings, your instrument needs adjusting by a David White service facility.

If you have questions about checking for calibration, contact David White or a repair facility. All actual adjusting of the instrument must be done by a qualified service facility.

# MAINTENANCE AND SERVICE

**Store and transport the tool only in the supplied protective case.**

**Keep the tool clean at all times.**

**Do not immerse the tool into water or other fluids.**

**Wipe off debris using a moist and soft cloth. Do not use any cleaning agents or solvents.**

**Regularly clean the surfaces at the exit opening of the laser in particular, and pay attention to any fluff of fibers.**

**If the tool should fail despite the care taken in manufacturing and testing procedures, repair should be carried out by an authorized after-sales service center for Dave White's SitePro instruments. In all correspondence and spare parts orders, please always include the model number and serial number of the instruments.**

**All precision instruments should be cleaned, lubricated, checked and adjusted ONLY at a qualified instrument repair station or by the manufacturer, at least once a year.**

**In case of repairs, send in the instrument packed in its protective case 17.**

## ENVIRONMENT PROTECTION

Recycle raw materials & batteries instead of disposing of waste. The unit, accessories, packaging & used batteries should be sorted for environmentally friendly recycling in accordance with the latest regulations.



# LIMITED WARRANTY

Dave White's SitePro ("Seller") warrants to the original purchaser only, that all David White laser tools and optical instruments will be free from defects in material or workmanship for a period of two (2) years from date of purchase.

SELLER'S SOLE OBLIGATION AND YOUR EXCLUSIVE REMEDY under this Limited Warranty and, to the extent permitted by law, any warranty or condition implied by law, shall be the repair or replacement of parts, without charge, which are defective in material or workmanship and which have not been misused, carelessly handled, or misrepaired by persons other than Seller or Authorized Service Center. To make a claim under this Limited Warranty, you must return the complete laser, optical instrument or David White product, transportation prepaid, to SITEPRO Service Department or Authorized Service Center. Please include a dated proof of purchase with your tool. For locations of nearby service centers, please call 1-855-354-9881.

THIS LIMITED WARRANTY DOES NOT APPLY TO ACCESSORY ITEMS SUCH AS TRIPODS, RODS, HAND LEVELS, FIELD SUPPLIES, TAPES, MOUNTING DEVICES AND OTHER RELATED ITEMS. THESE ITEMS RECEIVE A 90 DAY LIMITED WARRANTY.

To make a claim under this Limited Warranty, you must return the complete product, transportation prepaid. For details to make a claim under this Limited Warranty please visit [www.davidwhite.com](http://www.davidwhite.com) or call 1-855-354-9881.

ANY IMPLIED WARRANTIES SHALL BE LIMITED IN DURATION TO ONE YEAR FROM DATE OF PURCHASE. SOME STATES IN THE U.S., AND SOME CANADIAN PROVINCES DO NOT ALLOW LIMITATIONS ON HOW LONG AN IMPLIED WARRANTY LASTS, SO THE ABOVE LIMITATION MAY NOT APPLY TO YOU.

IN NO EVENT SHALL SELLER BE LIABLE FOR ANY INCIDENTAL OR CONSEQUENTIAL DAMAGES (INCLUDING BUT NOT LIMITED TO LIABILITY FOR LOSS OF PROFITS) ARISING FROM THE SALE OR USE OF THIS PRODUCT. SOME STATES IN THE U.S., AND SOME CANADIAN PROVINCES DO NOT ALLOW THE EXCLUSION OR LIMITATION OF INCIDENTAL OR CONSEQUENTIAL DAMAGES, SO THE ABOVE LIMITATION MAY NOT APPLY TO YOU.

THIS LIMITED WARRANTY GIVES YOU SPECIFIC LEGAL RIGHTS, AND YOU MAY ALSO HAVE OTHER RIGHTS WHICH VARY FROM STATE TO STATE IN THE U.S., OR PROVINCE TO PROVINCE IN CANADA AND FROM COUNTRY TO COUNTRY.

THIS LIMITED WARRANTY APPLIES ONLY TO PRODUCTS SOLD WITHIN THE UNITED STATES OF AMERICA, CANADA AND THE COMMONWEALTH OF PUERTO RICO. FOR WARRANTY COVERAGE WITHIN OTHER COUNTRIES, CONTACT YOUR LOCAL SITEPRO DEALER OR IMPORTER.

David White is a registered trademark and offered exclusively by SitePro.

©Dave White's SitePro LLC | Otterbein, IN USA

[www.davidwhite.us.com](http://www.davidwhite.us.com)