



# SitePro™

Operating / Safety Instructions

Consignes de fonctionnement / sécurité

Instrucciones de funcionamiento y seguridad

**IMPORTANT:**

Read Before Using

**IMPORTANT**

Lire avant usage

**IMPORTANTE:**

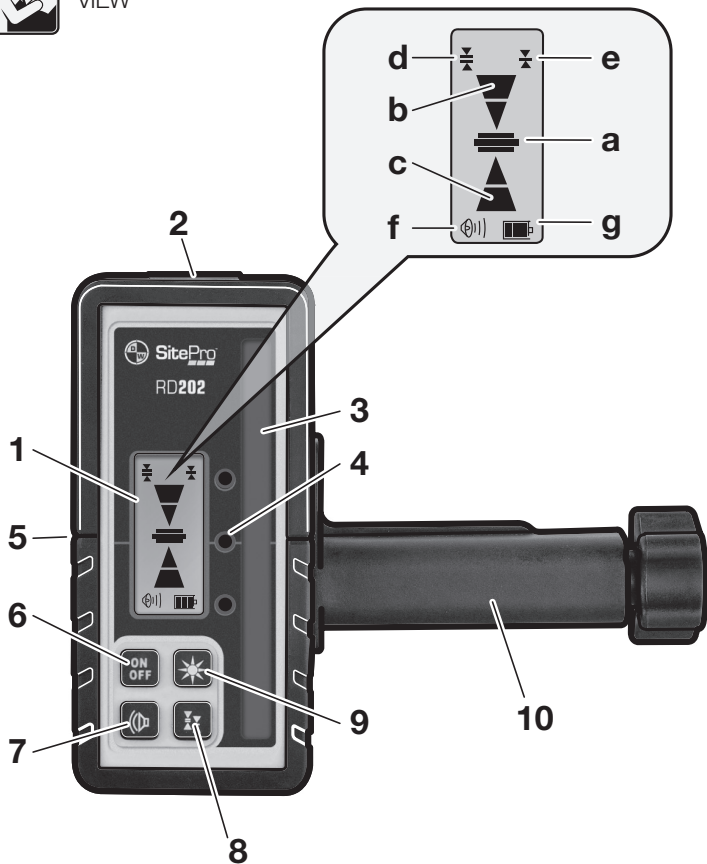
Leer antes de usar



model: **RD 202**



FRONT  
VIEW



# GENERAL SAFETY RULES



## WARNING

Working safely with this detector is

possible only when the operating and safety information are read completely and the instructions contained therein are strictly followed. The use of controls, adjustments, or the performance of procedures other than those specified herein may result in hazardous radiation exposure.

**DO NOT stare into the laser beam(s) when using with detector.**

**DO NOT direct the laser beam at other persons.**

**DO NOT disassemble the detector or attempt to perform any internal servicing.** Repair and servicing of this laser product are to be performed only by SitePro or Authorized Service Centers.

## Magnets



**Keep the tool and laser target away from cardiac pacemakers.**

The magnets of the tool generate a field that can impair the function of cardiac pacemakers.

**Keep the tool away from magnetic**

**data medium and magnetically-sensitive equipment.**

The effect of the magnets on the top of tool can lead to irreversible data loss.

## Use and Care

When attaching the detector to a device, make sure the detector is securely fixed.

The detector should not be stored or used in extreme temperature or during rapid temperature change. The detector may not function properly if used out of the ambient temperature range.

Store inside the carry case and place in a dry area not subject to vibration, dust or high moisture. If the storage temperature and ambient temperature for usage vary significantly, leave the laser in its case until it can adjust to the ambient temperature.

The detector should be transported or carried carefully to avoid impact.

The detector should be stored in the carry case. Always handle the detector with care.

**SAVE THESE INSTRUCTIONS.**

## INTENDED USE

The detector aids in locating and targeting a visible or invisible beam emitted by a rotary laser instrument; perfect for use in outdoor conditions, where sunlight and distance may make locating the beam more difficult.

The laser detector includes a rod clamp which allows to mount the detector onto square, round or oval sighting rods.

## FEATURES

The numbering of the product features shown refers to the illustration of the tool on page 2.

1. LCD Display (front and back)
- 1a. Center “Level” Indicator
- 1b. Direction Indicator “Move Downward”
- 1c. Direction Indicator “Move Upward”
- 1d. “Coarse” Adjustment Indicator
- 1e. “Fine” Adjustment Indicator
- 1f. Audio Signal Indicator
- 1g. Battery Level Indicator
2. Heavy Duty Magnets
3. Laser Capture Window
4. Position LED Indicators
5. Reference Mark
6. Power On/Off
7. Audible Keypad
8. Accuracy Sensitivity Keypad
9. Backlight On/Off Keypad
10. Rod Bracket

## TECHNICAL DATA

	LD 202
Detecting Range:	1350 ft (400m)
Accuracy:	Fine: $\pm 0.06\text{in}/130\text{ft}$ ( $\pm 1.5\text{mm}/40\text{m}$ ) Coarse: $\pm 0.1\text{in}/130\text{ft}$ ( $\pm 2.5\text{mm}/40\text{m}$ )
Detecting sensor range:	410 ft (125mm)
LCD Display	Front and Back
Audio Indicator	Low / High / Off

## LD 202

LED Indicator	On-Grade Indicator
Power Supply	9 V
Automatic switch off:	approx. 8 min
Working temperature:	- 4° F to 122° F (- 20° C to +50° C)
Dimension:	6.5 x 3 x 1.4-in (165 x 76 x 35 mm)
Wgt (with battery):	0.82 lb (373g)

Please note: Specifications are subject to change without notification.

## LD 202 PREPARATIONS

### Inserting/Replacing the Battery

9V alkaline battery is recommended for the tool.

When the batteries are low, the battery low indicator **g** will display.

Pull the latch of battery lid outward and open the battery lid.

**Remove the battery when not using it for extended periods.** When storing for extended periods, the battery can corrode and discharge.

## MAINTENANCE AND SERVICE

**Do not immerse the tool into water or other fluids.**

**Wipe off debris using a moist and soft cloth.** Do not use any cleaning agents or solvents.

**Regularly clean the surfaces at the reception window.**

If the tool should fail despite the care taken in manufacturing and testing procedures, repair should be carried out by an authorized after-sales service center for Dave

White's SitePro instruments. In all correspondence and spare parts orders, please always include the model number and serial number of the instruments.

### ENVIRONMENT PROTECTION



Recycle raw materials & batteries instead of disposing of waste. The unit, accessories, packaging & used batteries should be sorted for environmentally friendly recycling in accordance with the latest regulations.

# LIMITED WARRANTY

Dave White's SitePro ("Seller") warrants to the original purchaser only, that all laser detectors will be free from defects in material or workmanship for a period of one (1) years from date of purchase.

SELLER'S SOLE OBLIGATION AND YOUR EXCLUSIVE REMEDY under this Limited Warranty and, to the extent permitted by law, any warranty or condition implied by law, shall be the repair or replacement of parts, without charge, which are defective in material or workmanship and which have not been misused, carelessly handled, or mis-repaired by persons other than Seller or an Authorized Service Center. To make a claim under this Limited Warranty, you must return the complete product, transportation prepaid, to any SitePro Authorized Service Center. Please include a dated proof of purchase with your tool. For locations of nearby service centers, email us at [info@sitepro.us.com](mailto:info@sitepro.us.com) or call 1-855-354-9881.

THIS LIMITED WARRANTY DOES NOT APPLY TO ACCESSORY ITEMS SUCH AS TRIPODS, RODS, HAND LEVELS, FIELD SUPPLIES, TAPES, MOUNTING DEVICES AND OTHER RELATED ITEMS. THESE ITEMS RECEIVE A 90 DAY LIMITED WARRANTY.

To make a claim under this Limited Warranty, you must return the complete product, transportation prepaid. For details to make a claim under this Limited Warranty please visit [www.sitepro.us.com](http://www.sitepro.us.com). com or call 1-855-354-9881.

ANY IMPLIED WARRANTIES SHALL BE LIMITED IN DURATION TO ONE YEAR FROM DATE OF PURCHASE. SOME STATES IN THE U.S., AND SOME CANADIAN PROVINCES DO NOT ALLOW LIMITATIONS ON HOW LONG AN IMPLIED WARRANTY LASTS, SO THE ABOVE LIMITATION MAY NOT APPLY TO YOU.

IN NO EVENT SHALL SELLER BE LIABLE FOR ANY INCIDENTAL OR CONSEQUENTIAL DAMAGES (INCLUDING BUT NOT LIMITED TO LIABILITY FOR LOSS OF PROFITS) ARISING FROM THE SALE OR USE OF THIS PRODUCT. SOME STATES IN THE U.S., AND SOME CANADIAN PROVINCES DO NOT ALLOW THE EXCLUSION OR LIMITATION OF INCIDENTAL OR CONSEQUENTIAL DAMAGES, SO THE ABOVE LIMITATION MAY NOT APPLY TO YOU.

THIS LIMITED WARRANTY GIVES YOU SPECIFIC LEGAL RIGHTS, AND YOU MAY ALSO HAVE OTHER RIGHTS WHICH VARY FROM STATE TO STATE IN THE U.S., OR PROVINCE TO PROVINCE IN CANADA AND FROM COUNTRY TO COUNTRY.

THIS LIMITED WARRANTY APPLIES ONLY TO PRODUCTS SOLD WITHIN THE UNITED STATES OF AMERICA, CANADA AND THE COMMONWEALTH OF PUERTO RICO. FOR WARRANTY COVERAGE WITHIN OTHER COUNTRIES, CONTACT YOUR LOCAL SITEPRO DEALER OR IMPORTER.



©Dave White's SitePro LLC | Otterbein, IN USA  
[www.davidwhite.us.com](http://www.davidwhite.us.com)