



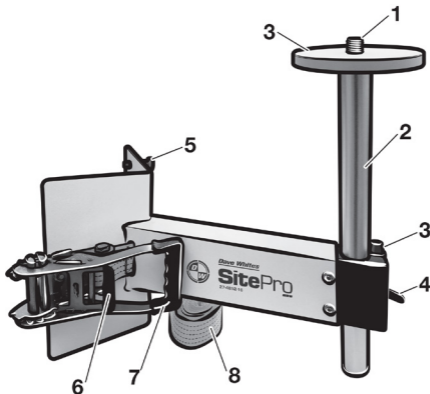
Dave Whites

SitePro™

QUICK GUIDE

model
27-4852-16

COLUMN CLAMP



FEATURES AT A GLANCE

1. 5/8-11 Thread
2. Adjustable Column
3. Rubber Washer - Protects Finger
4. Locking Lever
5. Fine Adjustment Bolt
6. Ratchet Clamp Release
7. Ratchet Clamp Handle
8. Heavy-Duty Strap

INTENDED USE

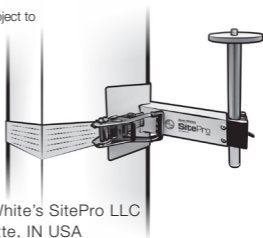
The column clamp is intended to mount to structural columns for stability and support for heavy instruments with 5/8-11 threads

27-4852-16

Mounting	
Platform	6-in Flat
Thread	5/8-11
Vertical Adjustment	12" (30cm) Height
Distance From Centerline	15-in (38cm)
Strap	Heavy-duty 2" (5.08cm) nylon, 10-ft (3.05m) length
Material	Structural Aluminum with stainless steel hardware
Load Rating	Up to 2,200 lb (1,000 kg)
Weighs	13.8 lb (6.25 kg)

Specifications and product information are subject to change without notification.

Includes: Column system (with ratchet and strap), mounting platform with 5/8-11 stud, and adjustable column.



©2018 Dave White's SitePro LLC
Lafayette, IN USA

www.dwsitepro.com

UM28-KS2L 00 81625502 01/2018

mq-marketing.com